

INSTRUCTION MANUAL

FOR IMPECCABLE AIR RETURN VENT & TRIANGULAR BASEBOARD SUPPLY VENT



IMPORTANT SAFETY INSTRUCTIONS – READ BEFORE ATTEMPTING INSTALLATION

WARNING

IMPROPER INSTALLATION MAY RESULT IN PROPERTY DAMAGE OR BODILY INJURY. READ THESE INSTRUCTIONS THOROUGHLY BEFORE ATTEMPTING INSTALLATION.

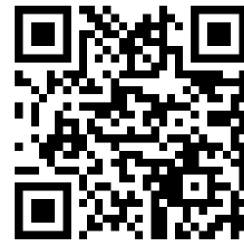
WARNING

THESE INSTRUCTIONS ARE INTENDED AS AN AID FOR PROPER INSTALLATION AND MAINTENANCE OF THESE PRODUCTS. READ THESE INSTRUCTIONS THOROUGHLY BEFORE ATTEMPTING INSTALLATION.

THESE VENTS/FILTER ARE INTENDED TO BE USED IN COMBINATION WITH THE EXISTING HVAC SYSTEM AND FURNACE FILTER

PLEASE READ CAREFULLY AND KEEP FOR FUTURE REFERENCE

Scan the QR Code:



To Navigate the
Website

Please Visit Our Website for More:

Impeccableair.com

Table of Contents

General Information	3-4
Key Benefits.....	3
Receiving.....	3
Vent Components.....	4
Safety Information	5
Return Vent Installation	6-10
Return Vent Tool-less Installation.....	7
Return Vent Screw Installation.....	8-9
Return Vent Filter Replacement.....	10
Triangular Baseboard Supply Vent Installation	11-13
Frequently Asked Questions	14

General Information

The Impeccable Air Vents are the ultimate indoor air quality solution designed to enhance your home air experience. Our innovative vent is not just a functional air filter holder; it's a work of art that seamlessly combines style and substance. Crafted from premium composite material, Impeccable Air vents effortlessly elevate the aesthetics of any room while ensuring cleaner, healthier air for you and your family.

KEY BENEFITS:

- 1. Effortless Air Purification:** Breathing cleaner air is easier than ever. Our MERV 6-rated filter effectively captures airborne contaminants, including dust, allergens, and pollutants, helping you and your family enjoy a fresher and healthier living environment.
- 2. Durable Material:** Engineered to last, the Impeccable Air vents are crafted from a durable composite material. Unlike traditional vents, they do not dent, rust, or deform, ensuring long-lasting performance and aesthetics.
- 3. Activated Carbon Air Filtration:** Our filter goes beyond standard air filtration. With activated carbon, our system effectively reduces odors and volatile organic compounds, leaving your living spaces smelling fresh and inviting.
- 4. Antimicrobial Protection:** To maximize your protection in your home, the filter is also coated with an antimicrobial disinfectant, providing an additional layer of protection against harmful airborne particles.
- 5. Tool-less Installation:** We believe that convenience matters. That's why the Impeccable Air Return Vent is designed for a hassle-free installation. No need for complicated tools or skills; securely snap-fitting the vent over your ductwork openings is a breeze.

Join the Impeccable Air Experience:

We are delighted to have you embrace the Impeccable Air experience. By choosing our system, you're making a significant step towards improving indoor air quality while enhancing the beauty of your home. This installation instruction manual will guide you through the easy setup process, ensuring you can fully enjoy the benefits of our exceptional product.

GETTING STARTED

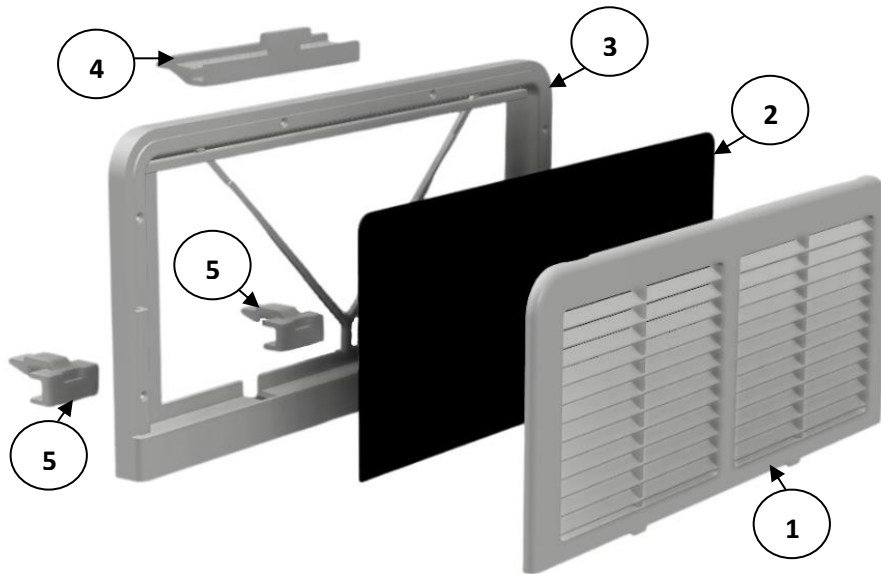
Before you begin the installation process, we recommend following these steps to ensure a smooth and satisfying experience:

- **Inspect the Package:** Carefully examine the package upon delivery to ensure that all components are included and in good condition. If you notice any damage or missing items, please reach out to our customer support team immediately.
- **Read the Manual:** Take a moment to review the instruction manual provided with your package. Familiarize yourself with the installation process and product features to make the setup process more straightforward.
- **Check Compatibility:** Verify that the vent will work with your existing ductwork openings. If you have any doubts or questions, feel free to contact our support team for assistance.
- **Inspect the Filter:** Examine the air filter included for any signs of damage or defects. A pristine filter is essential for optimal air filtration performance.

We are committed to ensuring your satisfaction with our product. If you have any questions, concerns, or need assistance at any stage of the process, our dedicated support team is ready to help. Contact us at (330)-277-6845 or visit our website for FAQs and helpful resources.

General Information (cont.)

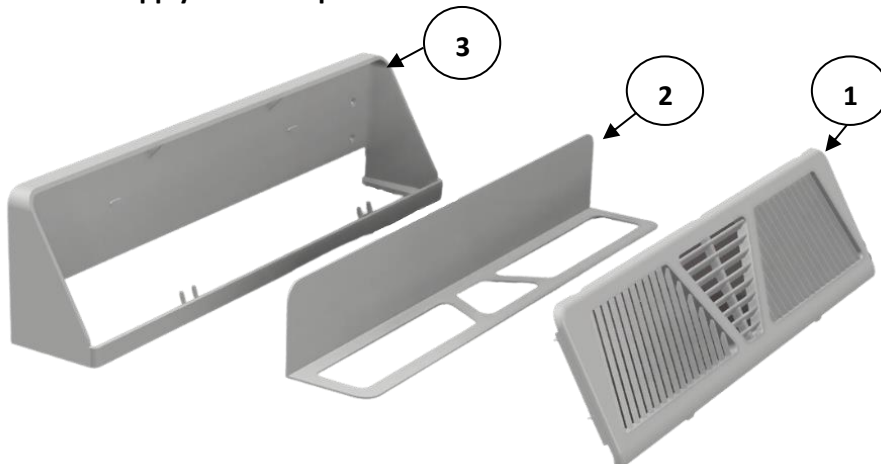
FIGURE 1
Return Vent Components



Return Vent Components

- 1 Front Cover
- 2 Filter
- 3 Backplate
- 4 Top Clip
- 5 Bottom Clips

FIGURE 2
Supply Vent Components



Supply Vent Components

- 1 Front Cover
- 2 Reversible Shut-Off/Filter Holder
- 3 Backplate

* Filter can be added if needed. Not required for this product:
Filtration is mandatory with the return vent and not suggested with the supply vent. In some cases, this vent model may be used as a return vent and would need a return vent*

Safety Information – Important: Please Read

 **WARNING: Proper Fit**

Use this product only with compatible ductwork openings. Contact Us for assistance if dealing with non-standard or incompatible opening or visit Page 6 for more information.

 **WARNING: Secure Installation**

Ensure the vent is securely fastened to the wall/ductwork opening to prevent accidental detachment.

 **WARNING: Filter Replacement**

Replace the air filters every 3 months to maintain optimal air quality and system performance. You will be reminded, and air filters will be sent to your door for replacement.

 **WARNING: Filter Installation**

Ensure you install filters in return vents ONLY. Do not install filters on the supply end. Visit Page 10 for more information.

ATTENTION: Clean Ventilation Area

Keep your vents clean and unobstructed to facilitate proper airflow and ventilation. To help facilitate this, the vent front covers are dishwasher safe.

ATTENTION: Clear Ventilation Area

Keep the area around all of your vents clean and unobstructed to facilitate proper airflow and ventilation.

ATTENTION: Authorized Parts Only

Use only authorized replacement filters supplied by Impeccable Air to maintain product performance and lifetime warranty. Use of replacement filters not supplied by Impeccable Air will void the lifetime warranty.

NOTE: System Fan ON

This system works best with your HVAC system fan ON. This allows air to continuously recirculate, allowing for maximum air filtration and distribution.

NOTE: Proper Disposal

Dispose of dirty filters in your outdoor garbage to rid your home of the captured contamination.

NOTE: Non-Medical Product

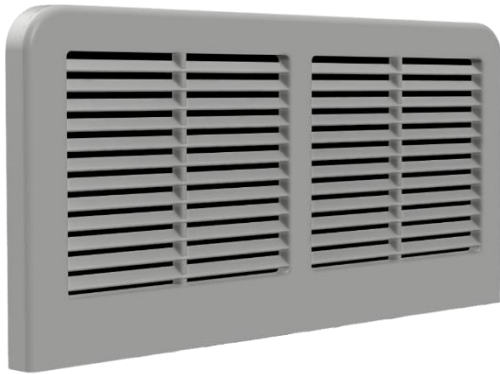
This product is not a medical device and is not intended to diagnose, treat, or cure any diseases or medical conditions.

NOTE: Proper Installation

If unsure about the installation process, contact us to ensure correct installation and proper functioning. Use this product only as intended and described in this instruction manual.

Impeccable Air, its affiliates, and partners are not liable for any direct, indirect, incidental, consequential, or punitive damages arising from your use of our products, website, or services. More specifically, if filters are not replaced every 90-days due to the actions of the customer, Impeccable Air is not liable for any damages to the existing HVAC system.

Return Vent Installation



Includes	
1	Return Vent Backplate
1	Return Vent Front Cover
1	Air Filter
1	Top Clip For Tool-less Installation
2	Bottom Clips For Tool-less Installation
6	#6 x 1.25" Screws
6	Plastic Drywall Anchors

Dimensions

- Vent Front End Outer Dimensions: 15.75" long x 7.75" tall x 0.75" thick
- Ductwork Opening Size: 14" long x 6" tall
- This Vent Grille is ideal for the 14" x 6" ductwork opening, but does cover any smaller opening with minimal installation modifications, including:
 - 6" x 4" : 6" x 6" : 8" x 4" : 8" x 6" : 10" x 4" : 10" x 6" : 12" x 4" : 12" x 6" : 14" x 4" : 14" x 6"

Ease of Installation

1. Remove Your Existing Vent Cover and Measure for the Vent Grille:

Measure the width and height of the ductwork opening in the wall. **DO NOT MEASURE YOUR OLD VENT COVER.**

If your ductwork opening is 14" long x 6" tall, follow along and enjoy tool-less installation. If your ductwork opening is any size smaller, our solution will still work for you - visit Page 9 for installation with screws.



Return Vent Tool-less Installation

Scan the QR Code shown to watch the Impeccable Air Vent Tool-less Installation Tutorial Video:

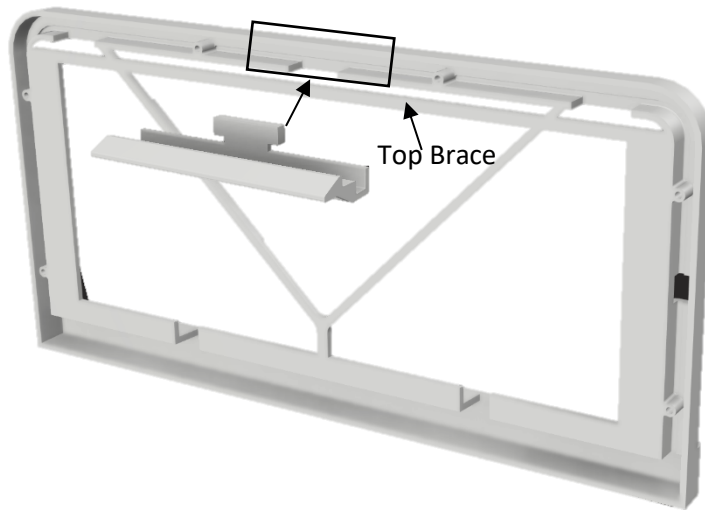


*Only for openings that measure 14" x 6"

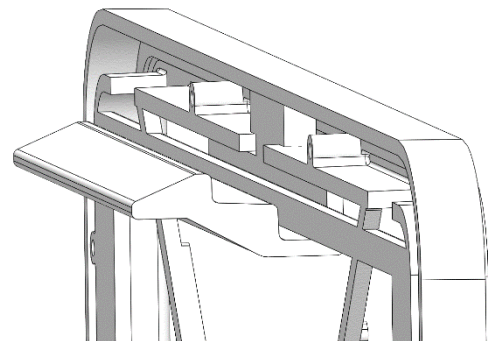
Once you have removed your existing vent cover and measured the ductwork opening to ensure it is a 14" x 6" opening:

1. Install the Friction Fit Top and Bottom Clips:

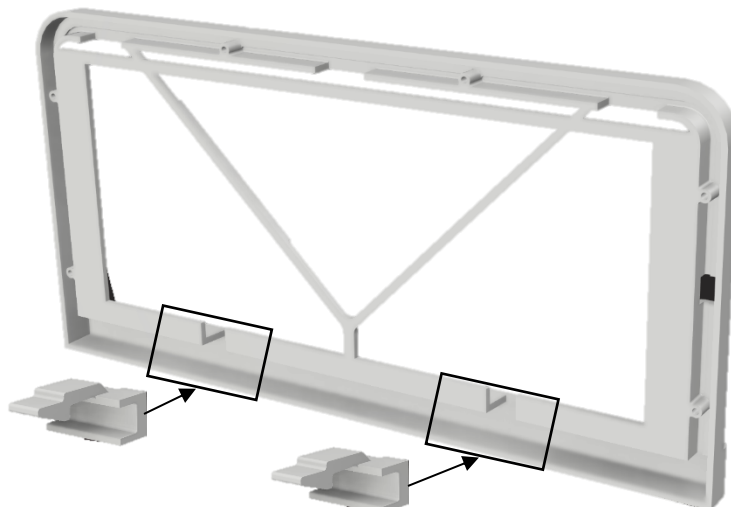
Looking at the back of the Vent Backplate – the top clip goes under the top brace and then snaps downward into place into the middle opening – as shown in the side view.



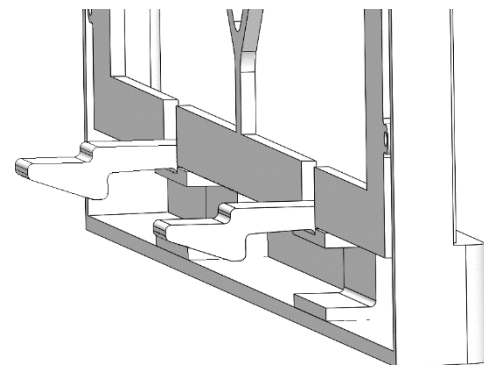
Side View of Fit



Looking at the back of the Vent Backplate – the bottom clips fit into the two slots along the bottom of the Vent Backplate.



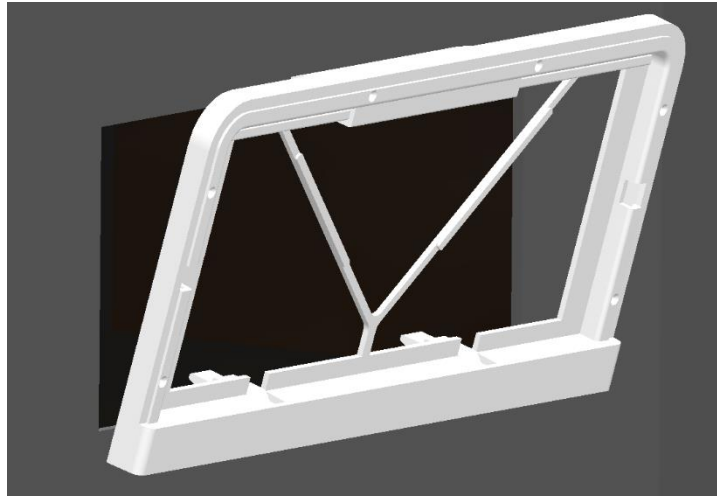
Side View of Fit



Return Vent Tool-less Installation (cont.)

2. Secure the Vent Backplate to the Wall/Ductwork Opening:

Looking at the ductwork opening in the wall, start with the bottom clips, then the top clip, and snap fit the Vent Backplate to the wall. In some cases, the Vent Backplate will be secured to the wall, but it might not be all the way flush – in this case, you can use the 6 mounting hole locations and provided #6 x 1.25-in screws to drive the Vent Backplate flush with the wall.



3. Install the Impeccable Air Filter and Front Grille:

Place the Impeccable Air filter against the back plate.

NOTE: This works best with your HVAC system fan ON.

Then, attach the Front Grille using its friction fit snaps.



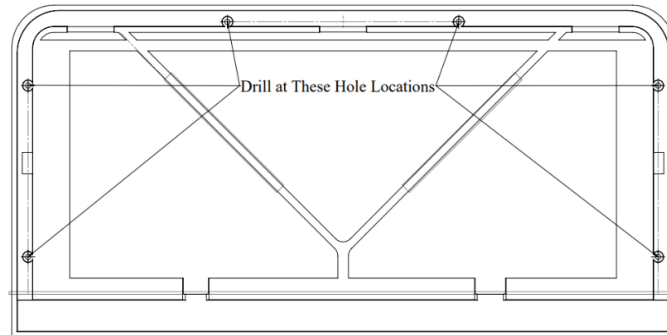
Enjoy clean and healthier air for you and your family.

Return Vent Installation

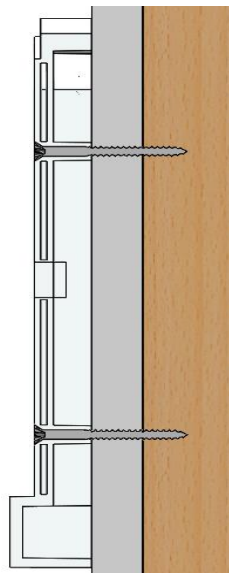
Once you have removed your existing vent cover, measured the ductwork opening, and found that it is smaller than 14" x 6" or for some other reason the tool-less installation clips will not work for you:

1. Secure the Vent Backplate to the Wall Using the Provided Screws:

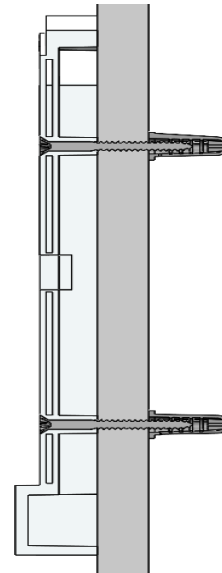
Looking at the Vent Backplate – reference this guide to identify screw hole locations.



If the mounting surface consists of dry-wall backed by wooden studs, the #6 x 1.25-in screws provided can be used to mount the Vent Backplate directly to the wall.



If mounting into a surface of dry-wall only, pre-drill holes at the hole locations using a 3/16-in drill bit, insert the plastic anchors provided, and secure the Vent Backplate using the #6 x 1.25-in screws provided.



In some cases, there may be an extension of the sheet metal ductwork behind the dry wall. If so, drill a pilot hole through the sheet metal at the hole locations using a 3/16-in drill bit and continue mounting.

2. Install the Impeccable Air Filter and Front Grille:

Place the Impeccable Air filter against the back plate.

NOTE: This filter works best with your HVAC system fan ON.

Then, attach the Front Grille using its friction fit snaps.

Return Vent Filter Replacement

Scan the QR Code shown and begin the video at 0:46 to watch the Return Vent Filter Replacement tutorial video:



1. Detach the Front Cover

Place a finger into one of the slots on the top of the vent and apply pressure to hold the Vent Backplate to the wall. Then, use another finger and the same slot to pull the front cover off.

It may be easier to place a flatheaded screwdriver into one of the slots on the top of the vent and perform a quarter turn with the screwdriver. The front cover will pop open with very minimal effort.

2. Install a New Filter in Its Place and Reattach the Front Grille

YOUR FILTERS MUST BE REPLACED EVERY 3 MONTHS. You will be provided with replacement filters every 3 months for your convenience – on a subscription-based system.

NOTE: This filter works best with your HVAC system fan ON.

WARNING: Filter Installation

Ensure you install filters in return vents **ONLY**. Supply vents push air out, return vents pull air in. Do not install filters on the supply end. An easy way to determine whether the ductwork opening is a return or supply is to turn on your HVAC system fan and hold the Impeccable Air Filter up to the ductwork opening – if the filter gets pulled toward the wall, it is a return. If the filter is being blown towards you, it is a supply.

WARNING: Filter Replacement

Replace the air filters every 3 months to maintain optimal air quality and system performance. You will be reminded, and air filters will be sent to your door for replacement.

Triangular Baseboard Supply Vent Installation



Includes	
1	Supply Vent Backplate
1	Supply Vent Front Cover
1	Reversible Shut-Off/Filter Holder
4	#6 x 3/4" Screws
4	Plastic Drywall Anchors

*** Filter can be added if needed. Not required for this product:**

Dimensions

- Vent Front End Outer Dimensions: 18" long x 4.5" tall x 3" deep
- Ductwork Opening Size: 15" long x 3" tall.
- This Vent Grille is ideal for the 15" x 3" ductwork opening but does cover any smaller opening with minimal installation modifications.

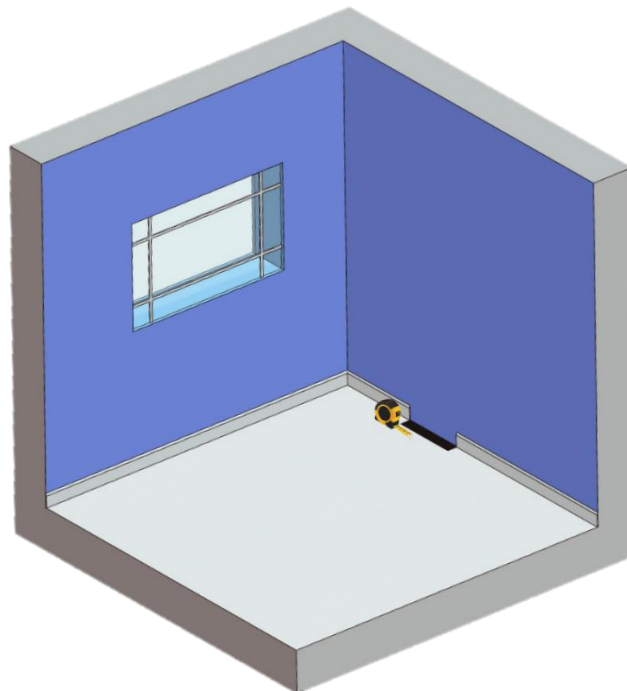
Filtration is mandatory with the return vent and not suggested with the supply vent. In some cases, this vent model may be used as a return vent and would need a return vent *

Ease of Installation

1. Remove Your Existing Vent Cover and Measure for the Vent Grille:

Measure the width and height of the ductwork opening in the floor. **DO NOT MEASURE YOUR OLD VENT COVER.**

If your ductwork opening is 15" long x 3" wide or smaller, follow along.

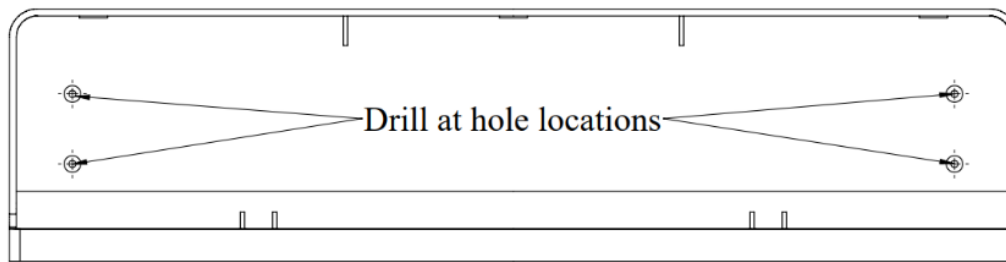


Triangular Baseboard Supply Vent Installation

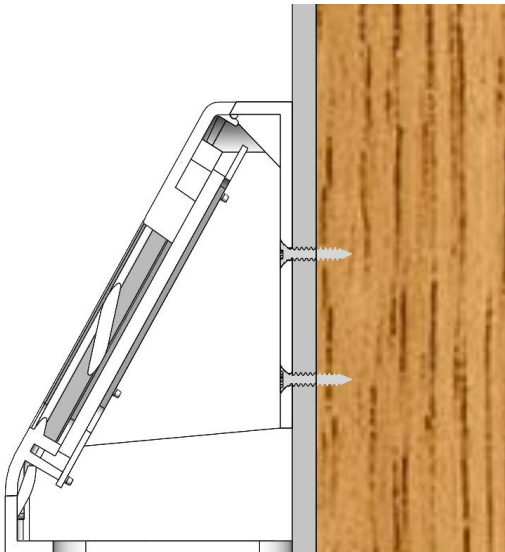
Once you have removed your existing vent cover, measured the ductwork opening, and found that it is equal to or smaller than 18" x 3":

1. Secure the Vent Backplate to the Wall Using the Provided Screws:

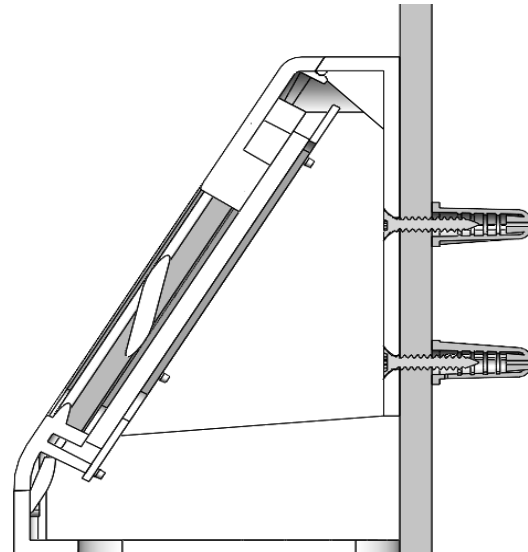
Looking at the Vent Backplate – reference this guide to identify screw hole locations.



If the mounting surface consists of dry-wall backed by wooden studs, the #6 x 3/4-in screws provided can be used to mount the Vent Backplate directly to the wall.



If mounting into a surface of dry-wall only, pre-drill holes at the hole locations using a 3/16-in drill bit, insert the plastic anchors provided, and secure the Vent Backplate using the #6 x 3/4-in screws provided.



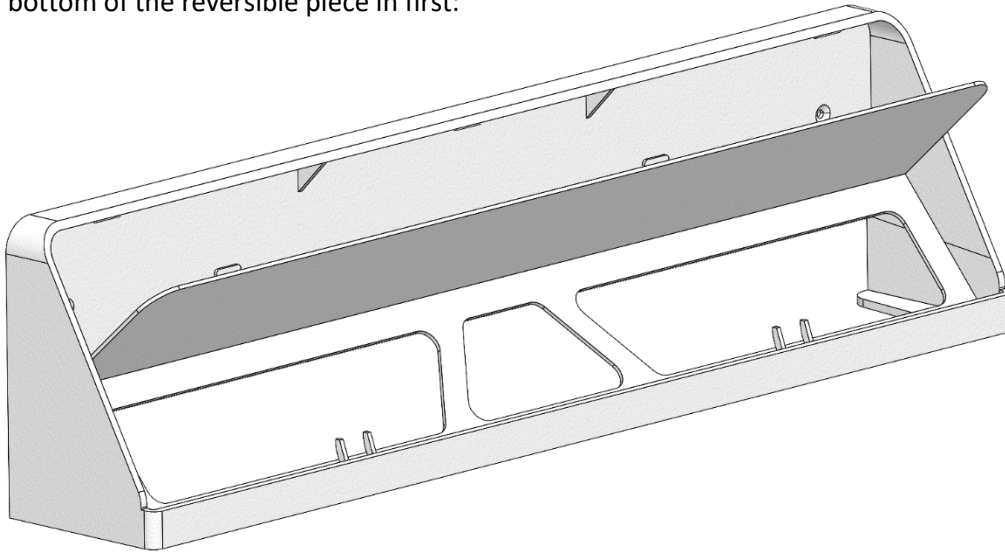
In some cases, there may be an extension of the sheet metal ductwork behind the dry wall. If so, drill a pilot hole through the sheet metal at the hole locations using a 3/16-in drill bit and continue mounting.

Triangular Baseboard Supply Vent Installation (cont.)

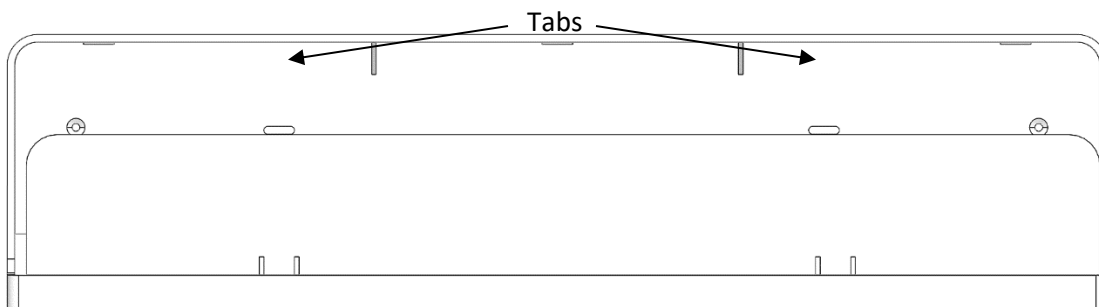
2. Install the Reversible Shut-Off/Filter Holder and Front Grille

Place the Reversible Shut-Off/Filter Holder into the Vent Backplate with the open side down and the solid side against the back face of the Vent Backplate as shown:

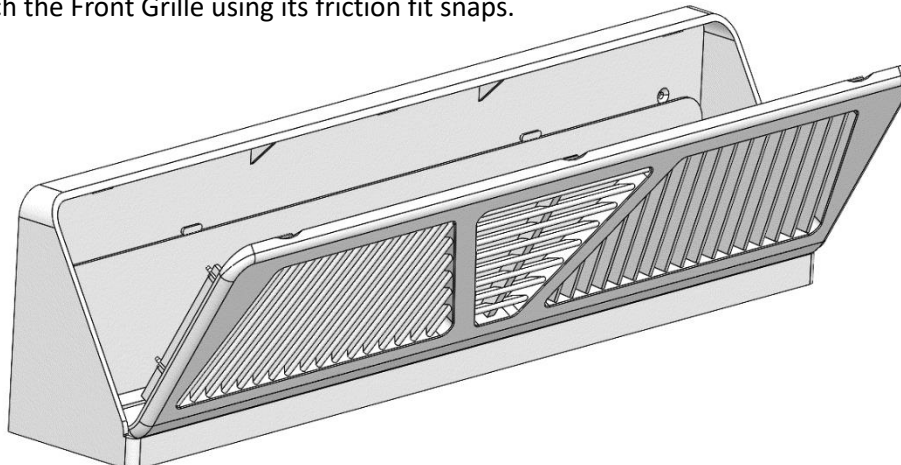
Put the bottom of the reversible piece in first:



Then snap the top of the reversible piece underneath the two tabs on the back face of the Vent Backplate to hold it tight.



Finally, attach the Front Grille using its friction fit snaps.



Frequently Asked Questions

- **How do the Impeccable Air Vents work to improve Indoor Air Quality?**
 - The Impeccable Air Vents allow you to place an air filter at each air return in your home, where air is moving very slowly - so contaminants are very easily captured. The air filter is rated MERV 6 – which was optimized to effectively capture a wide range of airborne contaminants, including dust, allergens, pet dander, pollutants, and more. In addition to basic filtration, the air filter is enhanced with Activated Carbon and is coated with an antimicrobial disinfectant. The Activated Carbon helps to reduce odors and remove unwanted gases and chemicals from the air. The antimicrobial coating provides an extra layer of protection by inhibiting the growth of harmful bacteria.
- **What size ductwork opening is the Return Vent compatible with?**
 - The Return Vent is ideal for the 14" wide x 6" tall ductwork opening. When dealing with this opening, the tool-less installation method can be used. Still, the Return Vent will work for any smaller opening, including: 6" x 4", 6" x 6", 8" x 4", 8" x 6", 10" x 4", 10" x 6", 12" x 4", 12" x 6", 14" x 4."
- **What size ductwork opening is the Triangular Baseboard Supply Vent compatible with?**
 - The Triangular Baseboard Supply Vent is ideal for the 15" wide x 3" tall ductwork opening. Still, the Triangular Baseboard Supply Vent will work for any smaller opening.
- **Can I install these vents by myself, or do I need a professional?**
 - Installation is very simple and easy and can be completed by yourself. Ensure that you follow the instructions in this manual to complete proper installation. If unsure about the installation process, contact us to ensure correct installation and proper functioning.
- **How often should I replace the air filters in the Return Vents?**
 - The air filters in each vent must be replaced at a 3-month maximum. It's important to change the filter every 3 months to minimize air resistance on your HVAC system and allow for proper filtration and functioning. Filters will be sent to your door for your convenience every 3-months on a subscription-based system. If you feel that you need filters sooner, please contact us as filters are available through the website.
- **Are replacement filters readily available, and where can I get them?**
 - Filters will be sent to your door for your convenience every 3-months on a subscription-based system. If you feel that you need filters sooner, please contact us as filters are available through the website.
- **How do I know if a ductwork opening is an air return or an air supply?**
 - Simply hold one of our air filters up against the ductwork opening – if the filter gets sucked towards the ductwork opening, it is an air return, if the filter gets blown towards you, it is an air supply.
- **Is there a risk of damaging my HVAC system by having these installed?**
 - There is not a risk of damaging the existing HVAC system by having the Impeccable Air Vents and Filters Installed. The filters have been optimized to be porous enough that they do not create a considerable increase in air resistance. As filters capture contaminants and become "clogged," they will begin to create an increase in air resistance on the system – this is why the filters must be replaced at a maximum of every 3-months. This is why filter replacement and maintenance are mandatory. Visit the "Our System" page on our website for more.
- **How do I clean the Impeccable Air Vents in the case that they become dirty?**
 - The Impeccable Air Vents are dishwasher safe and can be cleaned very easily.

